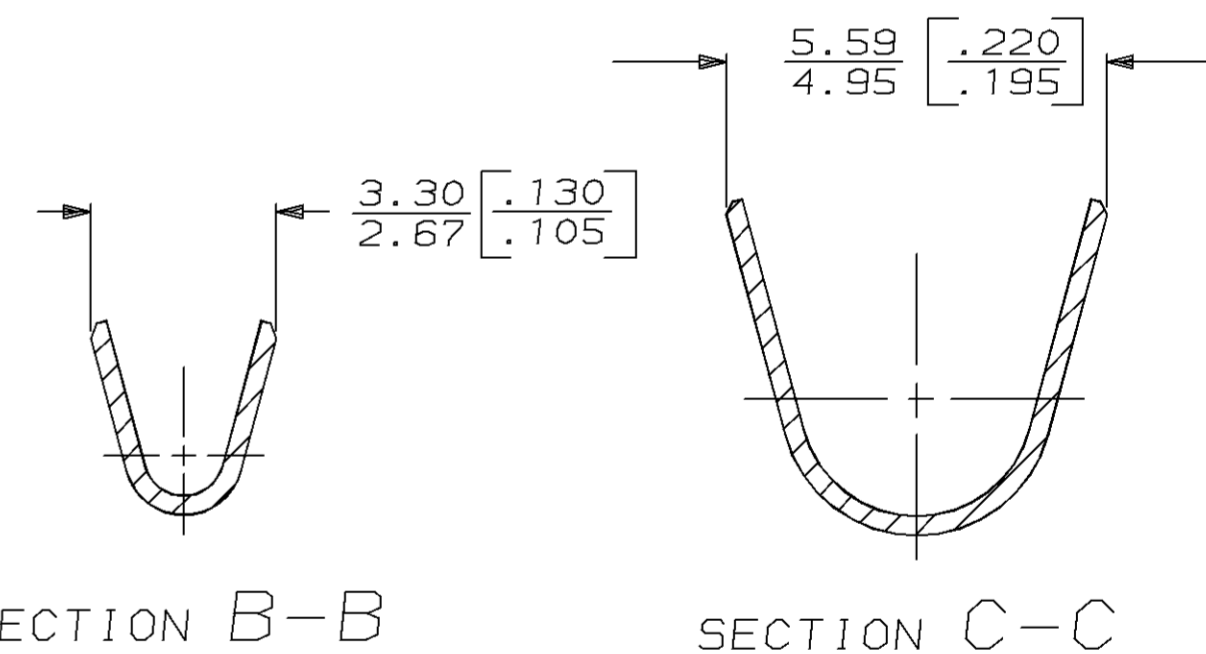
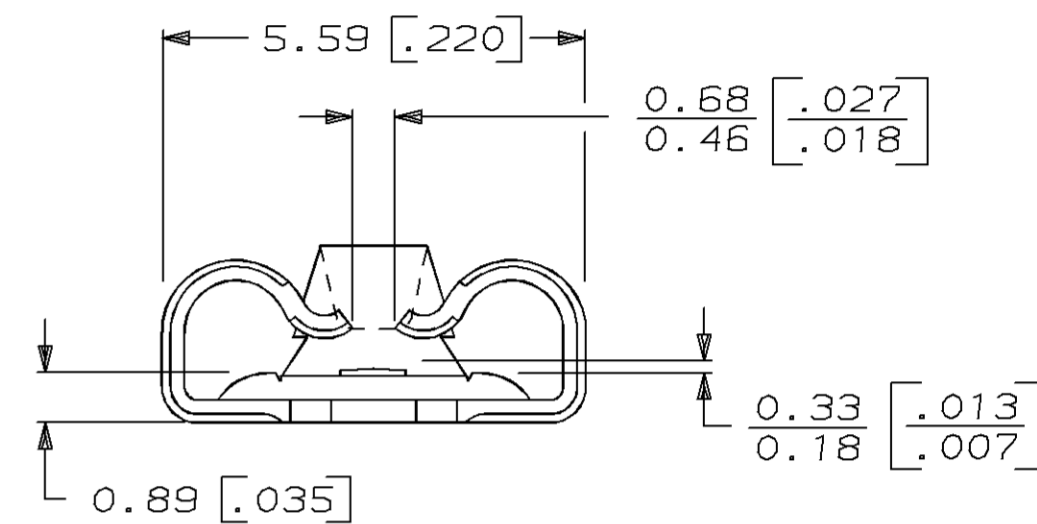
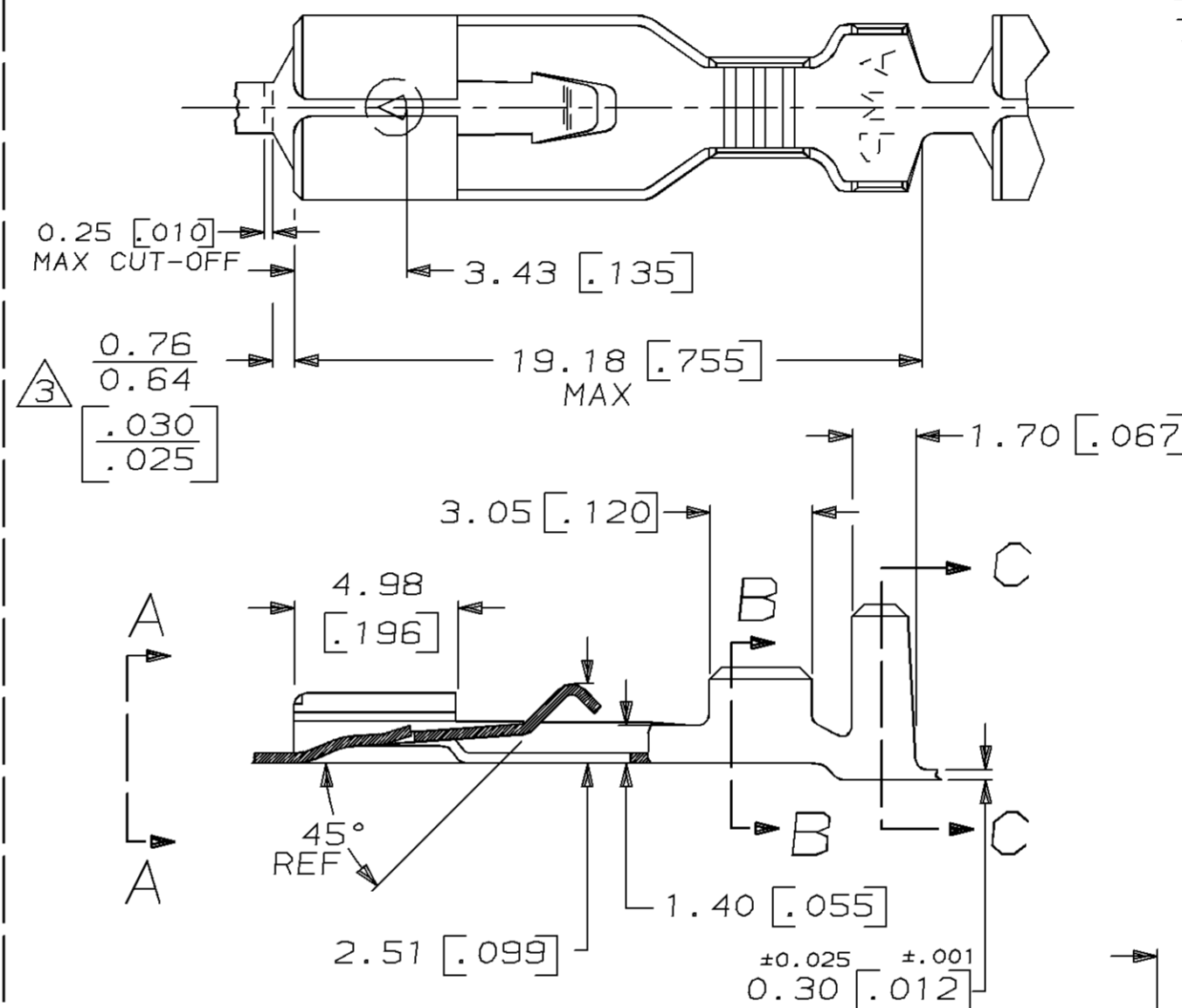
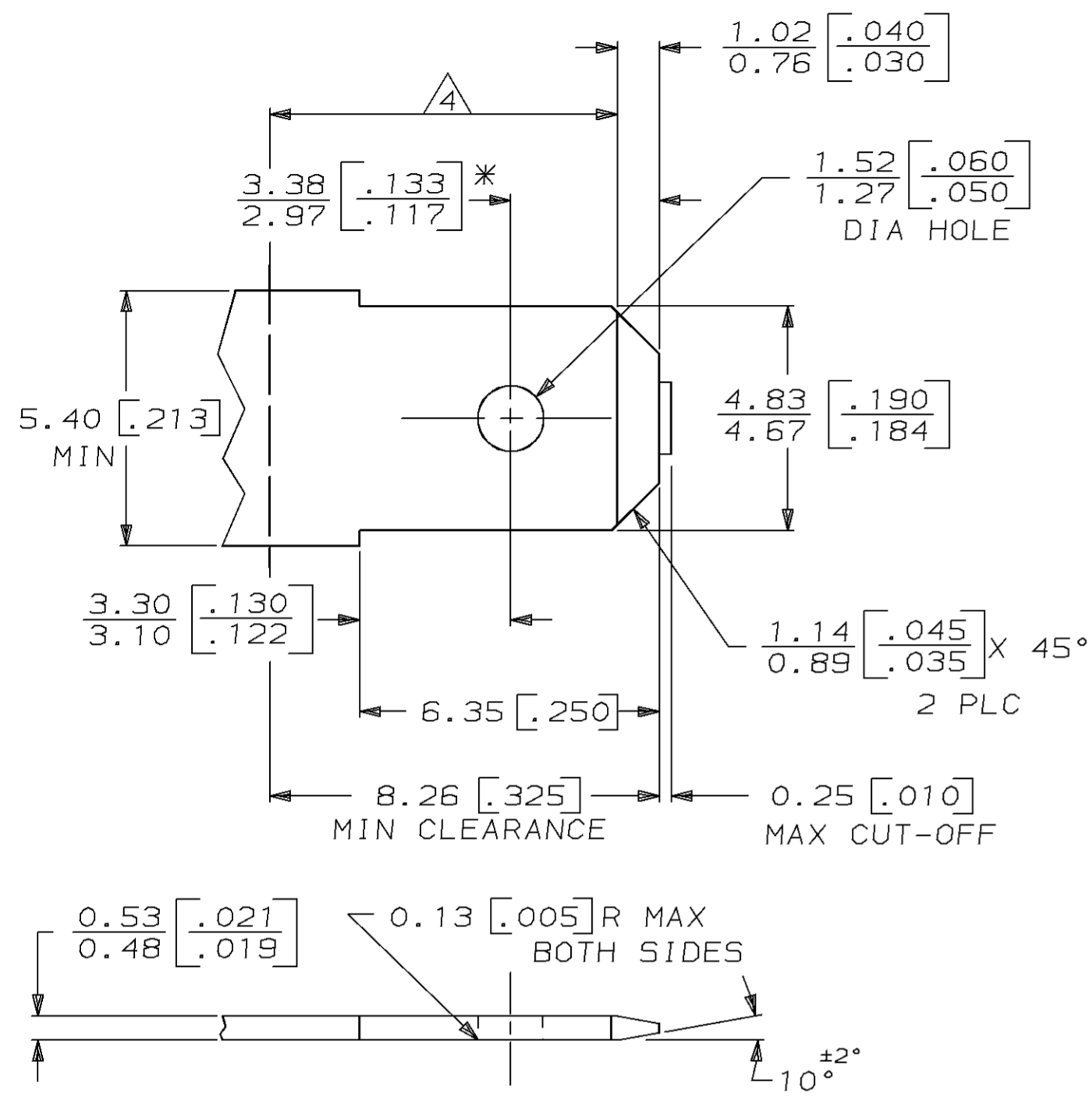


LOC		DIST		P		F		REVISIONS		DATE	APPROVED
AF	50					ZONE	LTR	DESCRIPTION			
							M	REV PER 0710-0011-96	4/25/96	JR/JG	

SUGGESTED MATING TAB



- 1 DIMENSIONS IN BRACKETS ARE IN INCHES.
- 2 CONTINUOUS STRIP ON REELS.
- 3 THE 0.76 [.030] / 0.64 [.025] DIMENSION MUST BE MAINTAINED BY THE APPLICATOR CUT-OFF TO ENSURE THE PROPER LOCKING FUNCTION OF THE RECEPTACLE.

- 1 MATL: #2 HARD BRASS OR NICKEL PLATE STEEL.
- 2 NO BURRS PERMISSIBLE AT HOLE.
- 3 TIN PLATING IS REQUIRED ON BRASS WHEN TERMINAL TEMPERATURE IS OVER 225°F.
- 4 MUST BE FLAT WITHIN 0.076 [.003] OVER THIS LENGTH.
- 5 HOLE MUST BE SYMMETRICAL ABOUT TAB ϕ WITHIN 0.076 [.003].
- * TO BE USED ONLY WHEN SHOULDER IS ELIMINATED.

2.29 - 3.30 [.090 - .130]	0.5 - 1.4mm ² [20-16]	63232-1
INSULATION RANGE		WIRE SIZE
UNLESS OTHERWISE SPECIFIED DIMENSIONS ARE IN MM TOLERANCES ON:		AMP INCORPORATED Harrisburg, Pa. 17105
2 PL DEC ± - 3 PL DEC ± 0.25 [.010] ANGLES ± -		
MATERIAL	DR 2/28/87 JR RUTH	NAME RECEPTACLE, POSITIVE LOCK, .187 SERIES
#6H BRASS	CHK 3/9/87 G YETTER	
FINISH	APPD 3/9/87 J GILLESPIE	SIZE
PRE-TIN	APPD 3/9/87 R KUZO	FSCM NO
	PRODUCT SPEC	DRAWING NO
	APPLICATION SPEC	00779
	WEIGHT	63232
		SCALE
		NTS
		SHEET
		1 OF 1

METRIC